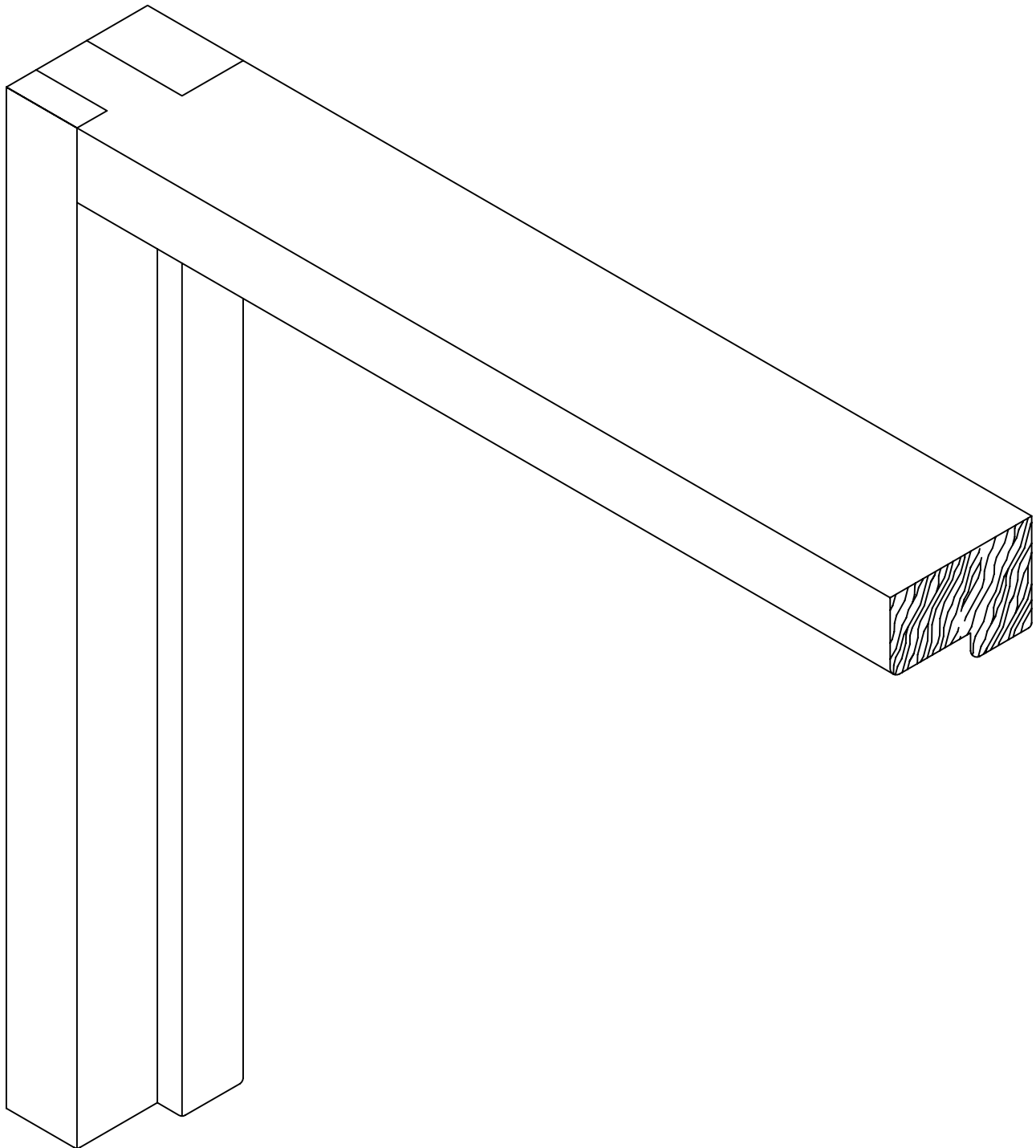


Frame Jointing Diagram



Spring Hall Works  
Spring Hall Grove  
Halifax  
HX2 0BU  
  
Tel: 01422 306830  
Fax: 01422 306831  
www.hansonandbeards.co.uk  
info@hansonandbeards.co.uk

Client:		
Project:		
Drg Title: SBD - Isometric Frame Jointing		
Scale: 1:1 at A4	Drn By: S&W	Chkd By:
Date: 21st July 2009	Drg No: 005	Rev: 0